



PATENTS PENDING

Redefining What's Possible in Radiation Therapy Access



Rapidly Expand Patient Access

Test new oncology programs, extend patient treatment availability, and validate market demand before major capital spend decisions



Cost Efficiency

Operates as an expense rather than a capital investment, becoming cash-flow positive when demand supports consistent treatment volumes



Relocatable Design

Deploy as an interim or permanent solution, ensuring patient care continues during equipment upgrades or rebuilds



New Capabilities

Equipped with the Varian Halcyon™ system, delivering advanced, precise radiation therapy in a relocatable clinic environment



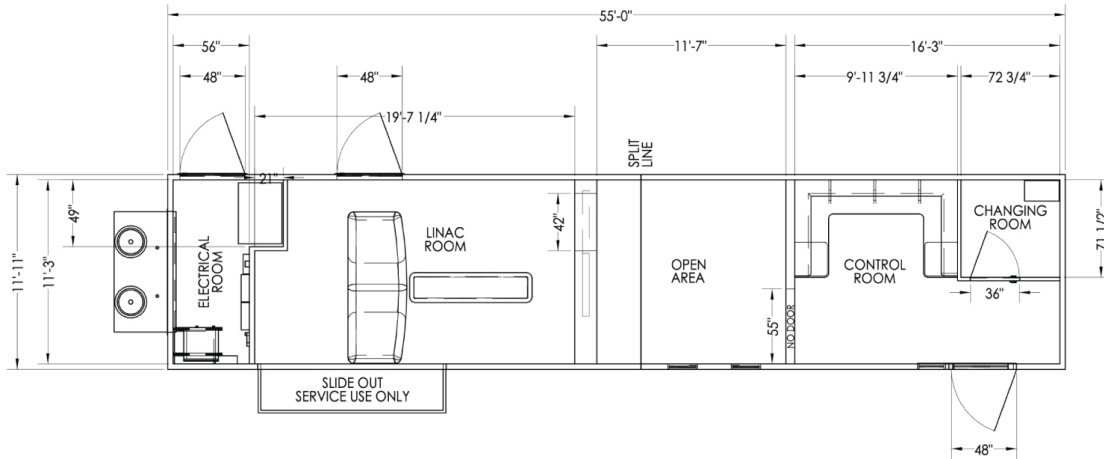
Seamless Installation

Pre-commissioned and factory-tested, the LINAC with radiation shielding in place allows rapid setup and patient treatment within days of arrival



Enhanced Patient and Staff Experience

Contemporary design with high ceilings, natural light, and intuitive workflow supports comfort and care efficiency



Siting Requirements

*Floorplan valid as of November 2025

Power Requirements

200 Amp minimum
 480 Volt, 3-phase
 WYE power connection

Overall Dimensions

55'-0" Length x 11'-11" Width x 9'-0" Height
 8'-0" Interior drop ceiling height

Overall Weight

100,000 lbs (includes LINAC)

Includes

Wide Glass Entrance Door With Side Light

4'-0" glass door with (1) 1'7" side light

Changing Room

6'-0 3/4" Length x 5'-11 1/2" Width

Emergency Exit Door

4'-0" emergency exit and maintenance door located in the treatment room

LED Ambient Lighting

Included to enhance the interior environment. Covers the baseboard perimeter of the treatment room and the control room

Spacious Control Room

9'-11 3/4" x 11'-11", accommodating multiple counter-height chairs and includes overhead cabinetry

Pergola Entrance

Pergola entrance with durable powdercoat finish, includes canopy extending over the entrance with support beams and LED lighting. Aluminum panels with grey enamel installed around the entrance

Spacious Treatment Room

19'-7 1/4" Length x 11'-3" Width

Construction Details

Heavy-duty Exterior Enamel

Akumin blue with 0.063" thickness

Maximum Capacity

10 people

ADA Access

Gentle 1'-0" Height by 10'-0" Length ramp non-slip aluminum platform, and railing

Branding

Partial wrap with Akumin logo + health system branding

Custom Options - Not Included in Base Price

Bathroom

Installation of (1) bathroom with 36" W x 24" D locking lower cabinet with solid surface countertop, stainless steel sink, and toilet. Client is responsible for plumbing connections and waste management



Ready to explore what's possible?
 Contact us at axis@akumin.com